

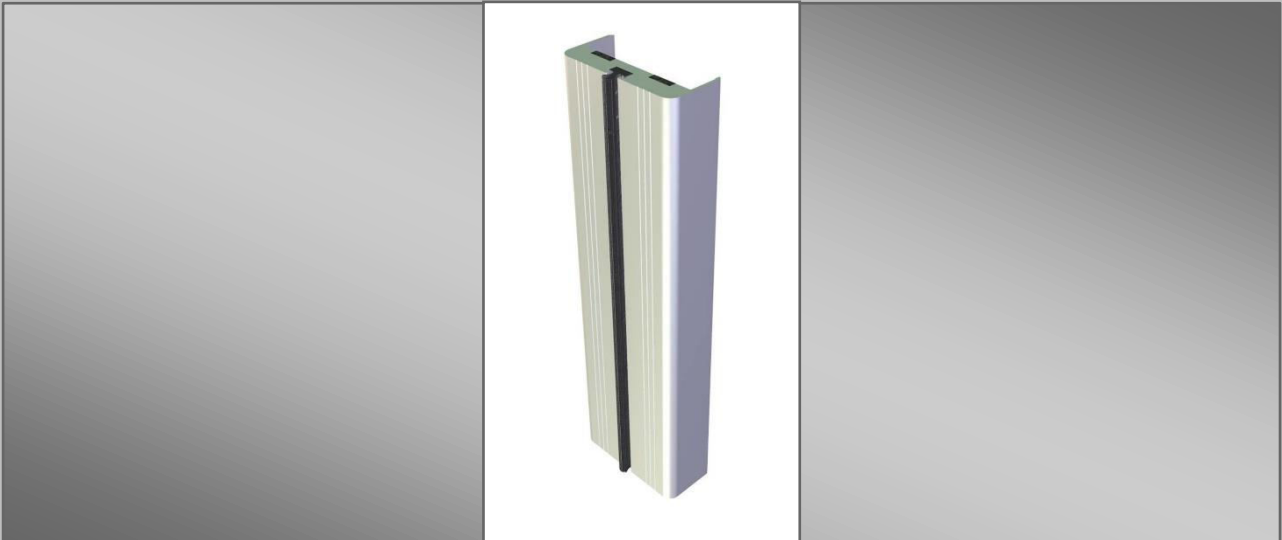


Zephyr

ZCL Guardian Doors[®]

Removable Door Edge Protection

Guardian Aluminum Door Edge Protection



Product Reference Codes:
DEA-[width]-AA Rounded profile, brush and intumescent
DEB-[width]-AA Square profile, brush and intumescent
DEE-[width]-AA Rounded profile, longer leg, brush and intumescent

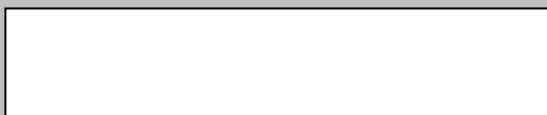
Note: To be fitted as per the global assessment.

Zephyr

Unit2C, Button Street Business Park, Button Street, Swanley Village, Kent. BX8 8DX

Tel 01304 368213

email: zcl@btconnect.com





Zephyr

Product

Aluminium Door Edge Guard

Product Reference Codes

DEA-[width]-AA, DEB-[width]-AA,
DEE-[width]-AA



Product Description

Fitted with intumescent fire and smoke seals which are vandal-resistant yet easy to replace, these aluminium door edge guards are ideal for maintaining fire integrity and can be used on the front and back edges of fire resisting door sets.

Product Specification

ALUMINIUM DOOR EDGE GUARD GENERALLY:

- ❖ Aluminium Door Edge Guard Ref: DEA-[width]-AA, Rounded profile, brush and intumescent. Ref: DEB-[width]-AA, Square profile, brush and intumescent. Ref: DEE-45-AA, DEE-55-AA Rounded profile, longer leg, brush and intumescent.
- ❖ Length: 2100 or 2500 mm.
- ❖ Width: DEA & DEB 44, 45, 46 and 55mm.
- ❖ Single or Double Door Configuration. DEE45 & 55mm.
- ❖ Fire Rating: BS476 Parts 20 & 22 for 30 & 60 minutes and EN1634 to 30 minutes.
- ❖ Accessories: Aluminium Door Edge Guards supplied with brush with white casing as standard. Options of brush with black casing, extended brush, neoprene blade or blank intumescent as opposed to brush seal if preferred – please specify when ordering. Supplied with 2 nbr brush retaining clips to be fitted at top and bottom of door.
- ❖ Finishes: Standard finish is Satin Anodised Aluminium (SAA). Other anodised finishes, wood effect and stainless steel finishes or colour coating to any RAL number available on request.
- ❖ Fixing: in accordance with manufacturers installation instructions.

Fire Testing

Fire rated to BS476 Parts 20 & 22 for 30 & 60 minutes and EN1634 to 30 minutes.





Zephyr

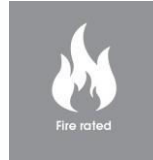
Product

Aluminium Door Edge Guard

Product Reference Codes

DEA-[width]-AA, DEB-[width]-AA,
DEE-[width]-AA

Aluminium Door Edge Guard Features



Fire Tested to BS476: Part 20 & 22 for 30 & 60 minutes and EN1634 to 30 minutes.

Robust aluminium profile protects vulnerable door edges

Cut out service available for hinge and keeps

A choice of brush or fin seals depending on application

Aluminium Door Edge Guard Benefits



Ensures staff and patient safety in the event of a fire by maintaining fire integrity of the door allowing safe evacuation



Reduces maintenance costs by protecting your doors

A viable long term solution

Maintenance

Any door should be properly maintained to ensure the durability and operation of the opening for an extended lifetime. The maintenance of Aluminium Door Edge Guard is easy and consists of the following:

1. Monthly checks should be made to ensure there are no sharp edges to the product, if found simply rub down with a file.
2. Monthly checks should be made to the fire/smoke seal to ensure the correct gap is maintained between the fire doors – in event of the seal being worn or lost, contact Zephyr for replacements.
3. Standard cleaning solutions can be used to wipe down the Edge Guards and should be part of routine cleaning regime.
4. The Door Edge Guard should be inspected annually for any fixings which may have become loose.

Performing these basic and quick tasks will maintain an Aluminium Door Edge Guard which provides worry free operation for years to come.



Doors

People

Places:



Zephyr

Product

Aluminium Door Edge Guard

Product Reference Codes

DEA-[width]-AA, DEB-[width]-AA,
DEE-[width]-AA

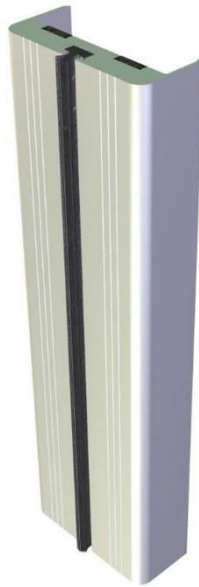
Order Matrix

Order Code	Product Description	Length	Width
DEA-[width]-AA	Rounded profile, brush and intumescent	2100 or 2500mm	44, 46 or 55 mm
DEB-[width]-AA	Square profile, brush and intumescent	2100 or 2500mm	44, 46 or 55 mm
DEE-[width]-AA	Rounded profile, longer leg, brush and intumescent	2100 or 2500mm	45 or 55mm

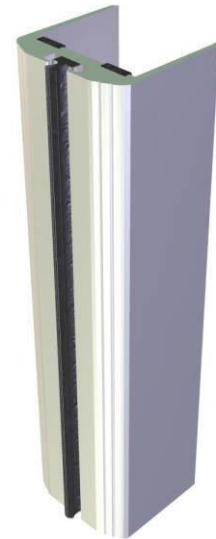
Illustrative Layout



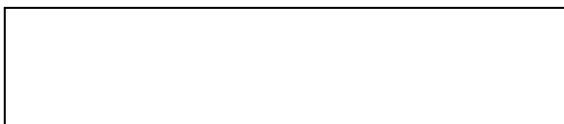
DEA Rounded Profile



DEB Square Profile



Rounded Profile, Longer Leg





Zephyr

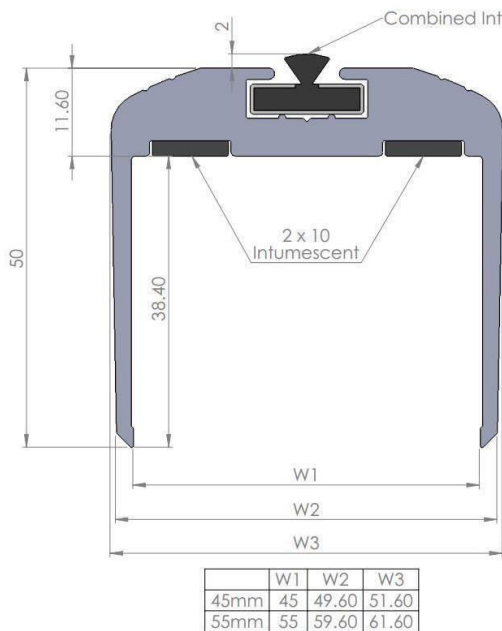
Product

Aluminium Door Edge Guard

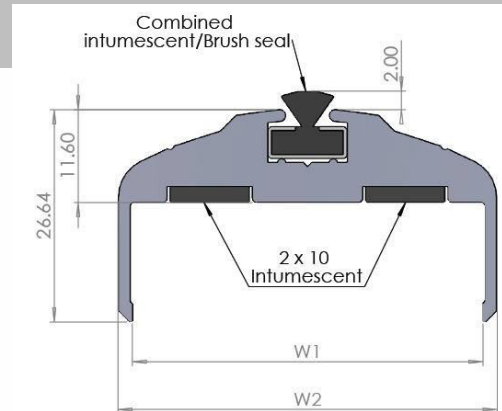
Product Reference Codes

DEA-[width]-AA, DEB-[width]-AA,
DEE-[width]-AA

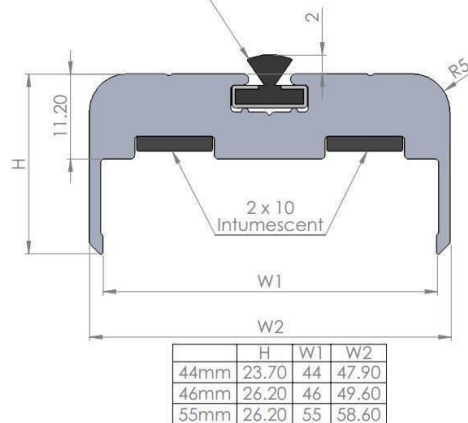
Detail Layout



DEE Rounded Profile, Longer Leg



DEA Rounded Profile



DEB Square Profile

Options

Other anodised finishes, wood effect and stainless steel finishes or colour coating to any RAL number available.

Can be supplied with either extended brush, neoprene blade or blank intumescent in black or white casing as opposed to brush seal if preferred – please specify when ordering.

Zephyr

Unit2C, Button Street Business Park, Button Street, Swanley Village, Kent. BX8 8DX

Tel 01304 368213

email: zcl@btconnect.com

